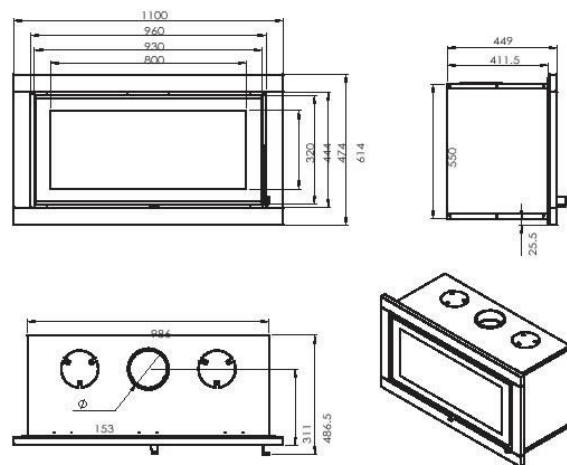


Landscape Insert P10 Wood Burning Insert Stove



SPECIFICATION

| | |
|--|-----------------|
| Fuel: | Solid Wood Logs |
| Heat Output | 14KW |
| Venting Pipe: | Dia. 150MM |
| Efficiency 75 % | |
| Vermiculite Firebrick linings | |
| Convection unit with Airwash on Glass and secondary combustion | |
| Metallic Black with box frame | |
| Option for ducting convection heat to other rooms | |
| Black Trim ceramic Glass | |



**THE FIRE PLACE
STUDIO**