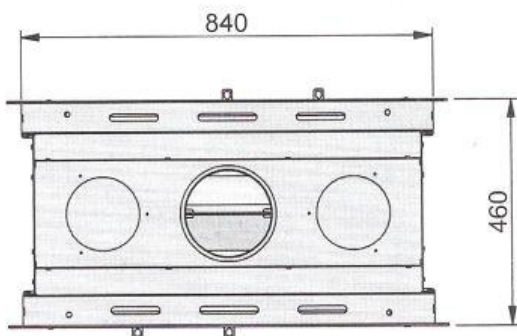
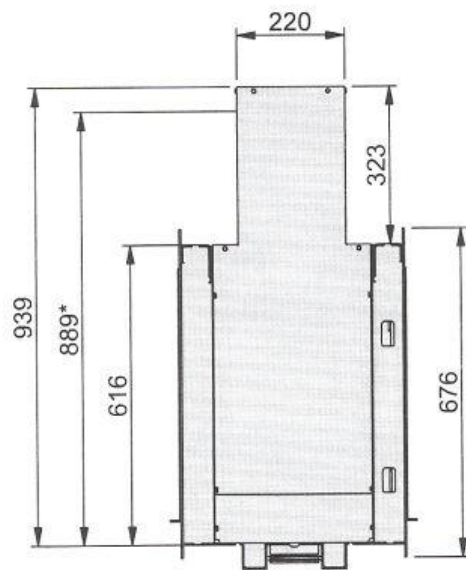
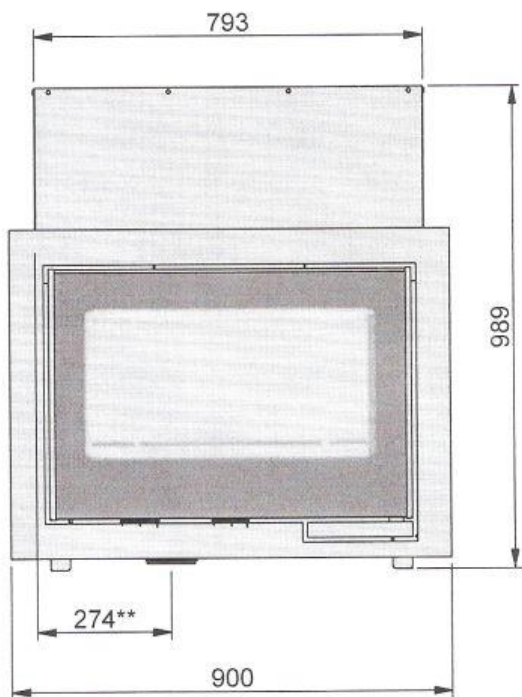


# TECHNICAL DATA

## Dimension sketch for Scan DSA 12



- \* Height to the beginning of the flue pipe at top outlet
- \*\* Centre for inlet of external combustion air bottom