

# **THE FIRE PLACE STUDIO**

charnwood 

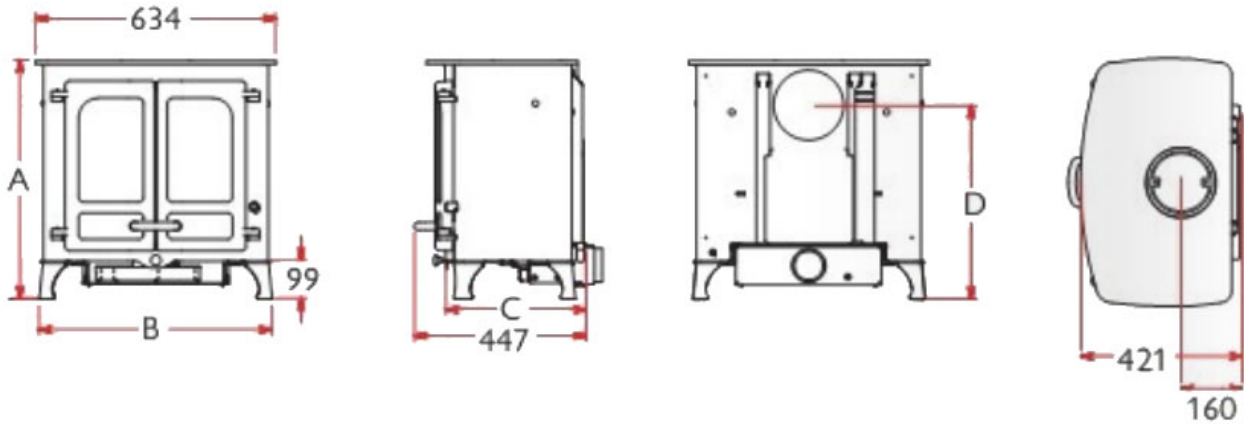
## **CHARNWOOD ISLAND II**




The Charnwood Island II is the middle stove in the Island Collections. With slightly larger view of the fire it still retains its clean-line proportions.

- Output 11kw
- Top or rear flue option
- Optional store stand
- H x W X D: 620x 610 x 370



# THE FIRE PLACE STUDIO



		A	B	C	D	WEIGHT
<b>LOW LEGS</b>		<b>619</b>	<b>605</b>	<b>365</b>	<b>504</b>	<b>140KG</b>
<b>HIGH LEGS</b>		<b>710</b>	<b>622</b>	<b>365</b>	<b>595</b>	<b>143KG</b>
<b>STORE STAND</b>		<b>820</b>	<b>584</b>	<b>301</b>	<b>705</b>	<b>154KG</b>