

# **THE FIRE PLACE STUDIO**

charnwood 

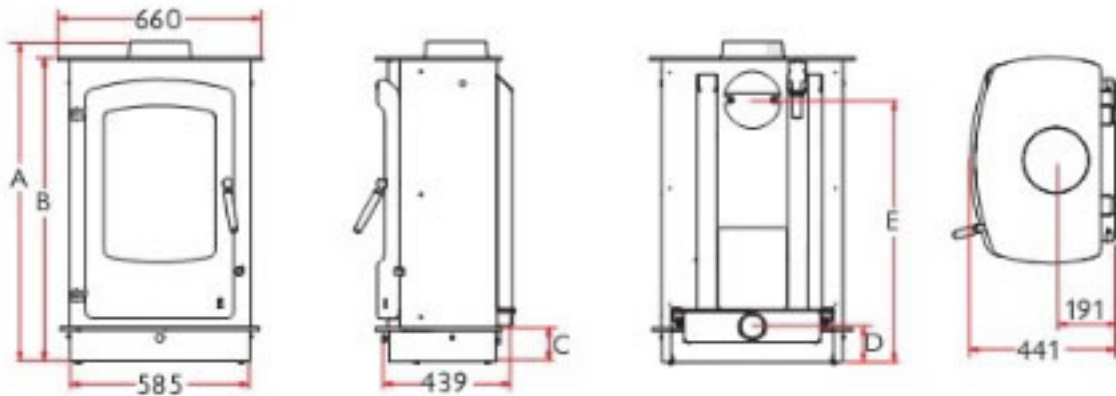
## **CHARNWOOD COVE 3**



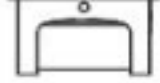
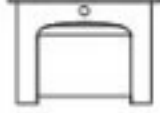
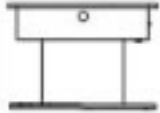
The Charnwood Cove 3 is the largest stove in the Cove Range. It is ideally suited to a larger room, hall or open plan area. The Cove 3 is able to take a log length of up to half a metre and with its tall curved door offers a spectacular view of the fire. It comes with 5 optional bases.

- Max Output : 16kw
- Top or rear flue option
- Optional store stand
- H x W X D: 980 x 620 x 460



# **THE FIRE PLACE STUDIO**



		A	B	C	D	E	WEIGHT
<b>LOW STAND</b>		1130	980	110	115	844	159KG
<b>LOW ARCH STAND</b>		1130	980	110	115	844	159KG
<b>MIDI STAND</b>		1200	1150	280	285	1014	168KG
<b>STORE STAND</b>		1330	1280	410	415	1144	171KG
<b>CENTRE STAND</b>		1330	1280	410	415	415	187KG